

ATF 100G-4

100 TON MAX. LIFTING CAPACITY

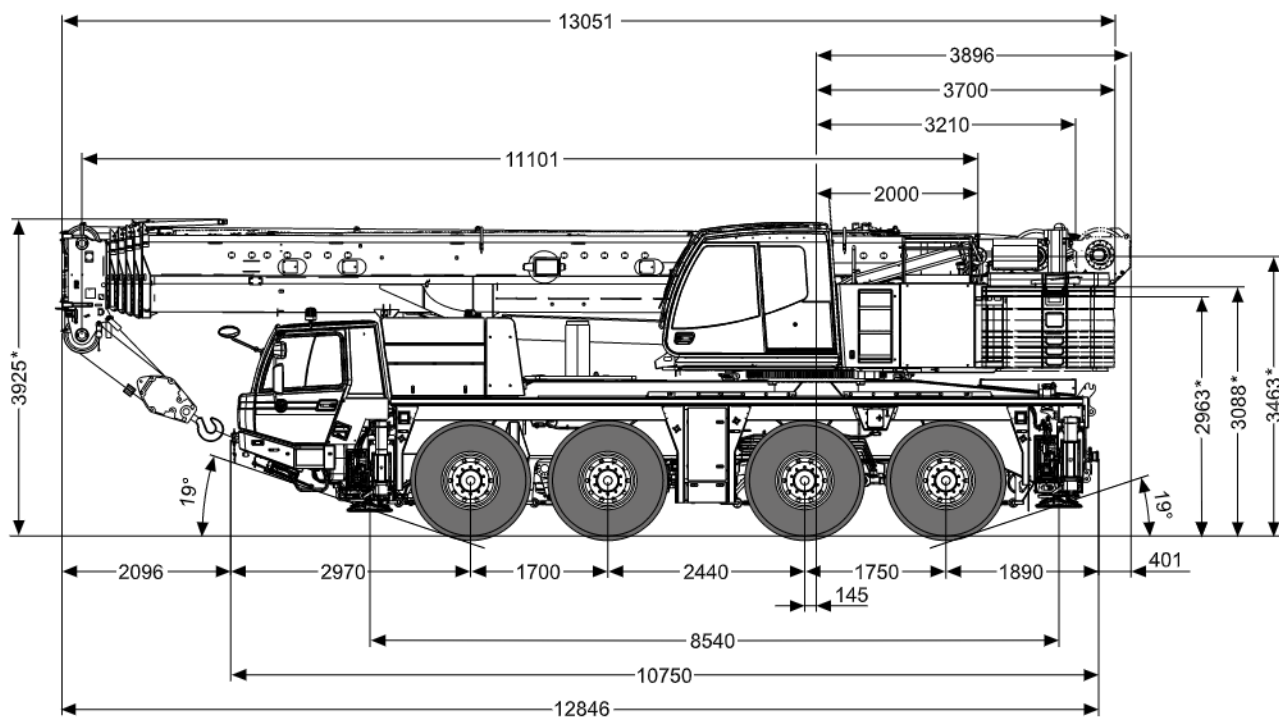
EU STAGE IV

ALL TERRAIN CRANE

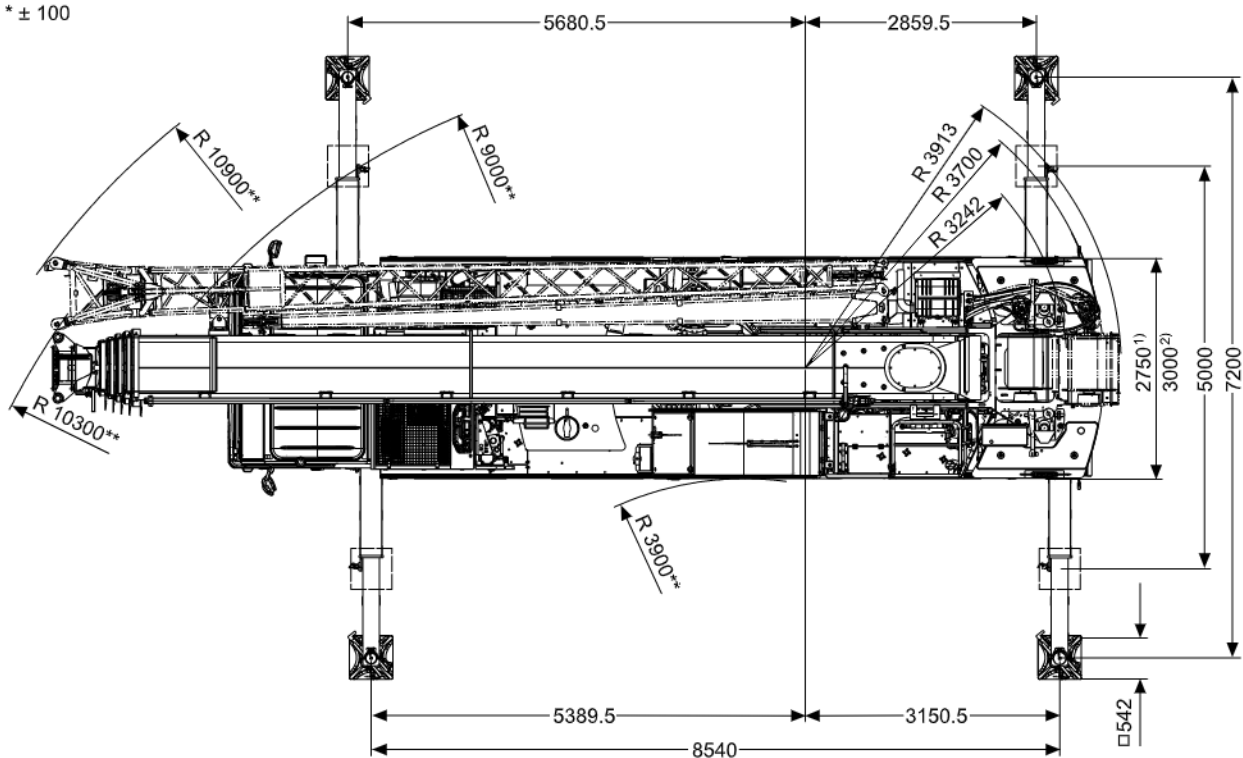


General · Allgemein · Généralités
 Generalidades · Generalità · Общие положения

Vehicle dimensions · Fahrzeugabmessungen · Dimensions du véhicule
 Dimensiones del vehículo · Dimensioni veicolo · Габариты машины



* ± 100



** Minimum · minimum · mínimo · mínimo · мінімальны


¹⁾ 385/95 R 25 (14.00 R25), 445/95 R 25 (16.00 R25)

²⁾ 525/80 R 25 (20.5 R25)


Lifting capacities · Traglasten · Charges de levage
 Cargas · Portate · Грузоподъемность



100 er

 m	11.1 m*	11.1 m	14.8 m	18.5 m	22.1 m	25.8 m	29.5 m	33.2 m	36.9 m	40.5 m	44.2 m	47.9 m	51.2 m
2.3	100.0**												
2.5	90.0**												
3.0	81.6**	73.0	65.0	65.0									
3.5	74.6	70.3	65.0	65.0	50.0								
4.0	68.6	64.4	63.5	61.4	50.0	41.3							
4.5	63.1	59.3	58.8	56.7	50.0	41.3							
5.0	58.3	54.9	54.4	52.7	50.0	39.2	31.6						
6.0	50.4	47.6	47.0	46.8	45.9	34.9	31.6	23.8					
7.0	43.8	41.7	41.2	41.3	40.8	33.0	28.9	23.8	19.7	15.8			
8.0	36.8	35.5	36.3	36.4	36.6	31.1	28.5	23.8	19.7	15.8	12.9		
9.0	24.9	24.0	32.0	32.1	32.4	29.4	28.5	22.6	19.7	15.8	12.9	10.2	
10.0			28.5	28.6	28.9	28.0	28.5	20.9	19.6	15.8	12.9	10.2	8.9
11.0			25.0	25.2	25.6	26.7	26.3	19.4	18.2	15.8	12.9	10.2	8.9
12.0			20.9	22.3	23.1	23.8	23.4	18.0	17.0	15.8	12.9	10.2	8.9
14.0				19.0	19.0	18.8	18.4	16.2	14.9	14.1	12.9	10.2	8.9
16.0				14.6	15.5	15.3	14.9	14.9	13.2	12.6	11.8	10.2	8.9
18.0					13.0	12.7	12.3	12.8	11.8	11.3	10.8	10.0	8.9
20.0					9.6	10.8	10.4	10.8	10.8	10.1	9.8	9.1	8.5
22.0						9.3	8.9	9.3	9.5	8.7	8.9	8.4	7.6
24.0							8.9	8.1	8.3	8.1	8.2	7.8	6.9
26.0							7.3	7.0	7.2	7.3	7.2	6.8	6.2
28.0								6.2	6.7	6.4	6.3	6.0	5.6
30.0								5.7	5.9	5.7	5.5	5.2	5.1
32.0									5.3	5.1	4.9	4.6	4.6
34.0									4.8	4.5	4.4	4.1	4.0
36.0										4.0	3.9	3.6	3.6
38.0										3.6	3.4	3.1	3.1
40.0											3.1	2.8	2.7
42.0											2.7	2.4	2.4
44.0												2.1	2.1
46.0													1.8
48.0													1.6



 m	11.1 m*	11.1 m	14.8 m	18.5 m	22.1 m	25.8 m	29.5 m	33.2 m	36.9 m	40.5 m	44.2 m	47.9 m	51.2 m
2.3	100.0**												
2.5	90.0**												
3.0	81.6**	76.1**	65.0	65.0									
3.5	74.6	69.9	65.0	65.0	50.0								
4.0	68.3	64.1	63.5	61.4	50.0	41.3							
4.5	62.7	59.0	58.5	56.7	50.0	41.3							
5.0	57.8	54.6	54.0	52.7	50.0	39.2	31.6						
6.0	50.0	47.2	46.6	46.8	45.9	34.9	31.6	23.8					
7.0	42.5	41.2	40.7	40.8	40.8	33.0	28.9	23.8	19.7	15.8			
8.0	36.6	35.5	35.4	35.5	35.8	31.1	28.5	23.8	19.7	15.8	12.9		
9.0	24.9	24.0	31.2	31.4	31.6	29.4	28.5	22.6	19.7	15.8	12.9	10.2	
10.0			26.7	26.9	27.3	28.0	27.0	20.9	19.6	15.8	12.9	10.2	8.9
11.0			22.7	23.4	24.7	24.9	24.0	19.4	18.2	15.8	12.9	10.2	8.9
12.0			20.0	21.9	21.9	21.7	21.3	18.0	17.0	15.8	12.9	10.2	8.9
14.0				17.2	17.3	17.0	16.6	16.2	14.9	14.1	12.9	10.2	8.9
16.0				14.0	14.1	13.8	13.4	13.9	13.0	12.6	11.8	10.2	8.9
18.0					11.7	11.5	11.1	11.5	11.7	10.8	10.8	10.0	8.9
20.0					9.6	9.7	9.3	9.7	9.9	9.5	9.5	9.1	8.5
22.0						8.3	8.4	8.3	8.5	8.6	8.4	8.1	7.6
24.0							7.8	7.2	7.7	7.4	7.3	7.0	6.9
26.0							6.9	6.5	6.7	6.5	6.3	6.0	6.0
28.0								6.0	5.9	5.7	5.5	5.2	5.2
30.0								5.3	5.2	5.0	4.8	4.5	4.5
32.0									4.7	4.4	4.3	3.9	3.9
34.0									4.2	3.9	3.7	3.4	3.4
36.0										3.5	3.3	3.0	3.0
38.0										3.1	2.9	2.6	2.6
40.0											2.6	2.2	2.2
42.0											2.3	1.9	1.9
44.0												1.7	1.6
46.0													1.4
48.0													1.2

* Over rear · Nach hinten · A l'arrière · Hacia atrás · Indietro · Назад

** With additional lifting equipment · Mit Zusatzhubausrüstung · Avec équipement de levage supplémentaire

Con equipamiento de elevación adicional · Con attrezzaggio di sollevamento supplementare · С дополнительным подъемным оборудованием

Operation · Einsatz · Utilisation
 Uso · Эксплуатация



m	11.1 m*	11.1 m	14.8 m	18.5 m	22.1 m	25.8 m	29.5 m	33.2 m	36.9 m	40.5 m	44.2 m	47.9 m	51.2 m
2.3	100.0**												
2.5	90.0**												
3.0	81.6**	76.6**	65.0	65.0									
3.5	74.5	69.7	65.0	65.0	50.0								
4.0	67.9	63.8	63.3	61.4	50.0	41.3							
4.5	62.3	58.7	58.2	56.7	50.0	41.3							
5.0	57.5	54.2	53.7	52.7	50.0	39.2	31.6						
6.0	49.1	46.8	46.3	46.4	45.9	34.9	31.6	23.8					
7.0	41.5	40.5	40.0	40.1	39.4	33.0	28.9	23.8	19.7	15.8			
8.0	35.8	35.3	34.8	34.1	32.9	31.1	28.5	23.8	19.7	15.8	12.9		
9.0	24.9	24.0	29.1	28.9	28.1	28.7	27.0	22.6	19.7	15.8	12.9	10.2	
10.0			24.1	24.7	26.3	25.1	23.7	20.9	19.6	15.8	12.9	10.2	8.9
11.0			20.9	22.9	22.9	22.2	21.0	19.4	18.2	15.8	12.9	10.2	8.9
12.0			19.4	19.9	20.0	19.7	18.7	17.8	17.0	15.8	12.9	10.2	8.9
14.0				15.6	15.7	15.4	15.0	15.3	14.0	13.7	12.9	10.2	8.9
16.0				12.7	12.7	12.5	12.1	12.5	12.8	11.4	11.4	10.2	8.9
18.0					11.0	10.3	10.1	10.4	10.6	10.3	10.3	9.8	8.9
20.0					9.4	8.9	9.2	8.7	9.1	9.0	8.9	8.4	8.2
22.0						8.0	8.1	7.7	7.9	7.7	7.5	7.2	7.2
24.0							7.1	6.9	6.9	6.6	6.5	6.1	6.1
26.0							6.2	6.0	6.0	5.7	5.6	5.3	5.3
28.0								5.3	5.2	5.0	4.8	4.5	4.5
30.0								4.7	4.6	4.4	4.2	3.9	3.9
32.0									4.1	3.8	3.7	3.4	3.4
34.0									3.6	3.4	3.2	2.9	2.9
36.0										2.9	2.8	2.5	2.5
38.0										2.6	2.4	2.1	2.1
40.0											2.1	1.8	1.8
42.0											1.8	1.5	1.5
44.0												1.2	1.2
46.0													1.0
48.0													0.8



m	11.1 m*	11.1 m	14.8 m	18.5 m	22.1 m	25.8 m	29.5 m	33.2 m	36.9 m	40.5 m	44.2 m	47.9 m	51.2 m
2.3	100.0**												
2.5	90.0**												
3.0	81.6**	76.3**	65.0	65.0									
3.5	74.0	69.4	65.0	65.0	50.0								
4.0	67.5	63.5	63.0	61.4	50.0	41.3							
4.5	61.9	58.3	57.8	56.7	50.0	41.3							
5.0	57.1	53.8	53.3	52.7	50.0	39.2	31.6						
6.0	47.9	46.4	45.9	46.0	45.9	34.9	31.6	23.8					
7.0	40.4	39.7	39.2	39.3	38.5	33.0	28.9	23.8	19.7	15.8			
8.0	34.5	34.6	33.6	33.3	32.0	31.1	28.5	23.8	19.7	15.8	12.9		
9.0	24.9	24.0	27.1	27.3	28.1	28.0	26.4	22.6	19.7	15.8	12.9	10.2	
10.0			22.4	24.7	25.0	24.4	23.1	20.9	19.6	15.8	12.9	10.2	8.9
11.0			20.8	21.4	21.4	21.2	20.4	19.2	18.2	15.8	12.9	10.2	8.9
12.0			18.1	18.6	18.6	18.4	18.0	17.8	16.6	15.8	12.9	10.2	8.9
14.0				14.5	14.6	14.3	13.9	14.4	14.0	13.3	12.9	10.2	8.9
16.0				11.7	11.9	11.5	11.2	11.6	11.8	11.1	11.0	10.2	8.9
18.0					10.2	9.7	10.1	9.5	9.9	9.8	9.7	9.4	8.9
20.0					8.6	8.6	8.7	8.4	8.5	8.3	8.1	7.8	7.8
22.0						7.4	7.5	7.3	7.3	7.0	6.9	6.6	6.5
24.0							6.5	6.3	6.3	6.0	5.9	5.5	5.5
26.0							5.7	5.5	5.4	5.2	5.0	4.7	4.7
28.0								4.8	4.7	4.4	4.3	4.0	4.0
30.0								4.2	4.1	3.8	3.7	3.4	3.4
32.0									3.6	3.3	3.2	2.9	2.8
34.0									3.2	2.9	2.7	2.4	2.4
36.0										2.5	2.3	2.0	2.0
38.0										2.2	2.0	1.7	1.7
40.0											1.7	1.4	1.4
42.0											1.4	1.1	1.1
44.0												0.9	0.8
46.0													0.6

* Over rear · Nach hinten · A l'arrière · Hacia atrás · Indietro · Hazað

** With additional lifting equipment · Mit Zusatzhubausrüstung · Avec équipement de levage supplémentaire

Con equipamiento de elevación adicional · Con attrezzaggio di sollevamento supplementare · С дополнительным подъемным оборудованием

Operation · Einsatz · Utilisation
 Uso · Эксплуатация



10.2 t

DIN/ISO/EN

70 er

m	11.1 m*	11.1 m	14.8 m	18.5 m	22.1 m	25.8 m	29.5 m	33.2 m	36.9 m	40.5 m	44.2 m	47.9 m	51.2 m
2.3	100.0**												
2.5	90.0**												
3.0	81.0**	75.7**	65.0	65.0									
3.5	73.2	68.8	65.0	65.0	50.0								
4.0	66.7	62.7	62.3	61.4	50.0	41.3							
4.5	61.2	57.6	57.1	56.7	50.0	41.3							
5.0	55.5	53.1	52.6	52.2	50.0	39.2	31.6						
6.0	45.5	44.7	44.2	42.3	40.0	34.9	31.6	23.8					
7.0	37.0	37.1	35.7	33.6	32.2	32.5	28.9	23.8	19.7	15.8			
8.0	28.6	28.7	27.7	27.9	29.0	27.3	25.6	23.8	19.7	15.8	12.9		
9.0	23.1	23.1	23.4	24.9	24.8	23.4	22.0	20.8	19.7	15.8	12.9	10.2	
10.0			20.2	20.8	20.8	20.4	19.2	19.0	17.3	15.8	12.9	10.2	8.9
11.0			17.2	17.7	17.8	17.5	16.9	16.8	16.1	14.9	12.9	10.2	8.9
12.0			14.8	15.3	15.4	15.1	14.7	15.0	14.8	13.3	12.9	10.2	8.9
14.0				11.9	12.4	12.0	12.5	11.7	12.0	11.9	11.0	10.2	8.9
16.0				9.5	10.0	10.0	10.1	10.0	9.9	9.6	9.4	8.8	8.6
18.0					8.1	8.2	8.3	8.1	8.1	7.8	7.6	7.3	7.2
20.0					6.8	6.8	6.9	6.7	6.7	6.4	6.3	5.9	5.9
22.0						5.7	5.8	5.6	5.6	5.3	5.2	4.8	4.8
24.0							4.9	4.8	4.7	4.4	4.3	4.0	4.0
26.0							4.2	4.0	4.0	3.7	3.6	3.3	3.2
28.0								3.5	3.4	3.1	3.0	2.7	2.6
30.0								3.0	2.9	2.6	2.5	2.2	2.1
32.0									2.5	2.2	2.0	1.7	1.7
34.0									2.1	1.8	1.7	1.4	1.3
36.0										1.5	1.3	1.0	1.0
38.0										1.2	1.1	0.7	0.7
40.0											0.8	0.5	0.5
42.0											0.6		



8.9 t

DIN/ISO/EN


m	11.1 m*	11.1 m	14.8 m	18.5 m	22.1 m	25.8 m	29.5 m	33.2 m	36.9 m	40.5 m	44.2 m	47.9 m	51.2 m
2.3	100.0**												
2.5	90.0**												
3.0	80.8**	75.6**	65.0	65.0									
3.5	73.0	68.6	65.0	65.0	50.0								
4.0	66.5	62.6	62.1	61.4	50.0	41.3							
4.5	61.0	57.4	56.9	56.5	50.0	41.3							
5.0	54.8	52.9	52.3	51.9	49.9	39.2	31.6						
6.0	45.0	44.3	43.6	40.6	38.4	34.9	31.6	23.8					
7.0	35.4	35.5	34.3	32.2	31.8	31.2	28.5	23.8	19.7	15.8			
8.0	27.4	27.4	26.5	27.9	27.8	26.2	24.6	23.0	19.7	15.8	12.9		
9.0	22.0	22.1	23.2	23.8	23.8	22.5	21.1	20.8	18.9	15.8	12.9	10.2	
10.0			19.3	19.9	19.9	19.6	18.4	18.2	16.5	15.8	12.9	10.2	8.9
11.0			16.4	16.9	17.0	16.7	16.2	16.1	15.9	14.2	12.9	10.2	8.9
12.0			14.1	14.6	14.7	14.4	14.2	14.4	14.2	12.9	12.5	10.2	8.9
14.0				11.3	11.8	11.9	12.0	11.6	11.8	11.3	10.8	10.1	8.9
16.0				8.9	9.4	9.4	9.5	9.4	9.4	9.1	8.9	8.3	8.1
18.0					7.7	7.7	7.8	7.6	7.6	7.3	7.2	6.8	6.7
20.0					6.4	6.4	6.4	6.3	6.2	6.0	5.8	5.5	5.5
22.0						5.3	5.4	5.3	5.2	4.9	4.8	4.5	4.4
24.0							4.6	4.4	4.4	4.1	3.9	3.6	3.6
26.0							3.9	3.7	3.7	3.4	3.3	2.9	2.9
28.0								3.2	3.1	2.8	2.7	2.4	2.4
30.0								2.7	2.6	2.4	2.2	1.9	1.9
32.0									2.2	1.9	1.8	1.5	1.5
34.0									1.9	1.6	1.4	1.1	1.1
36.0										1.3	1.1	0.8	0.8
38.0										1.0	0.8	0.5	0.5
40.0											0.6		

* Over rear · Nach hinten · A l'arrière · Hacia atrás · Indietro · Hazað


** With additional lifting equipment · Mit Zusatzhubausrüstung · Avec équipement de levage supplémentaire

Con equipamiento de elevación adicional · Con attrezzaggio di sollevamento supplementare · С дополнительным подъемным оборудованием



 m	11.1 m*	11.1 m	14.8 m	18.5 m	22.1 m	25.8 m	29.5 m	33.2 m	36.9 m	40.5 m	44.2 m	47.9 m	51.2 m
2.3	100.0**												
2.5	90.0**												
3.0	80.6**	75.4**	65.0	65.0									
3.5	72.8	68.5	65.0	65.0	50.0								
4.0	66.3	62.4	61.9	61.4	50.0	41.3							
4.5	60.8	57.2	56.7	56.4	50.0	41.3							
5.0	54.2	52.5	51.9	50.2	47.9	39.2	31.6						
6.0	44.4	44.0	41.7	38.9	36.8	34.2	31.6	23.8					
7.0	33.9	34.0	32.8	30.8	31.8	30.0	27.9	23.8	19.7	15.8			
8.0	26.1	26.2	25.2	27.9	26.7	25.1	23.5	21.9	19.7	15.8	12.9		
9.0	21.0	21.0	22.2	22.8	22.8	21.5	20.2	19.9	18.1	15.8	12.9	10.2	
10.0			18.4	19.0	19.0	18.7	17.5	17.4	16.1	15.3	12.9	10.2	8.9
11.0			15.6	16.2	16.2	15.9	15.4	15.4	15.1	13.5	12.9	10.2	8.9
12.0			13.4	13.9	14.5	13.7	14.2	13.7	13.5	12.9	11.8	10.2	8.9
14.0				10.7	11.2	11.2	11.3	11.2	11.2	10.7	10.2	9.5	8.9
16.0				8.4	8.9	8.9	9.0	8.8	8.8	8.5	8.4	7.8	7.6
18.0					7.2	7.2	7.3	7.2	7.1	6.8	6.7	6.3	6.3
20.0					5.9	5.9	6.0	5.9	5.8	5.6	5.4	5.1	5.1
22.0						4.9	5.0	4.9	4.8	4.6	4.4	4.1	4.1
24.0							4.2	4.1	4.0	3.8	3.6	3.3	3.3
26.0								3.6	3.4	3.1	3.0	2.6	2.6
28.0									2.9	2.8	2.6	2.4	2.1
30.0									2.4	2.4	2.1	1.9	1.6
32.0										2.0	1.7	1.6	1.2
34.0										1.6	1.4	1.2	0.9
36.0											1.1	0.9	0.6
38.0											0.8	0.6	



 m	11.1 m*	11.1 m	14.8 m	18.5 m	22.1 m	25.8 m	29.5 m	33.2 m	36.9 m	40.5 m	44.2 m	47.9 m	51.2 m
2.3	100.0**												
2.5	90.0**												
3.0	80.3**	75.3**	65.0	65.0									
3.5	72.6	68.2	65.0	65.0	50.0								
4.0	66.1	62.2	61.7	61.4	50.0	41.3							
4.5	59.9	57.0	56.5	56.1	50.0	41.3							
5.0	53.5	52.0	51.4	48.8	45.4	39.2	31.6						
6.0	43.8	43.5	39.5	36.7	34.8	34.2	30.8	23.8					
7.0	31.9	32.0	30.9	29.9	30.3	28.4	26.4	23.8	19.7	15.8			
8.0	24.6	24.6	25.1	26.5	25.3	23.8	22.2	20.9	19.7	15.8	12.9		
9.0	19.7	19.7	20.9	21.5	21.6	20.4	19.0	18.8	17.0	15.8	12.9	10.2	
10.0			17.3	17.9	18.0	17.7	16.5	16.4	16.1	14.3	12.9	10.2	8.9
11.0			14.6	15.2	15.5	15.0	15.2	14.4	14.2	12.9	12.3	10.2	8.9
12.0			12.5	13.0	13.6	13.6	13.8	13.1	13.0	12.3	11.0	10.2	8.9
14.0				9.9	10.4	10.4	10.5	10.4	10.3	9.9	9.4	8.7	8.5
16.0				7.7	8.2	8.2	8.3	8.2	8.1	7.8	7.7	7.1	6.9
18.0					6.6	6.6	6.7	6.6	6.5	6.2	6.1	5.8	5.7
20.0					5.4	5.4	5.5	5.4	5.3	5.0	4.9	4.6	4.5
22.0						4.5	4.6	4.4	4.4	4.1	4.0	3.6	3.6
24.0							3.8	3.7	3.6	3.3	3.2	2.9	2.9
26.0								3.2	3.1	3.0	2.7	2.6	2.3
28.0									2.5	2.5	2.2	2.1	1.7
30.0									2.1	2.0	1.8	1.6	1.3
32.0										1.7	1.4	1.3	0.9
34.0										1.4	1.1	0.9	0.6
36.0											0.8	0.6	
38.0												0.6	


* Over rear · Nach hinten · A l'arrière · Hacia atrás · Indietro · Назад

** With additional lifting equipment · Mit Zusatzhubausrüstung · Avec équipement de levage supplémentaire


Con equipamiento de elevación adicional · Con attrezzaggio di sollevamento supplementare · С дополнительным подъемным оборудованием

Operation · Einsatz · Utilisation
 Uso · Эксплуатация

 11.1 – 51.2 m
  7.2 m
  360°
 5.1 t
DIN/ISO/EN
 50 er

 m	11.1 m*	11.1 m	14.8 m	18.5 m	22.1 m	25.8 m	29.5 m	33.2 m	36.9 m	40.5 m	44.2 m	47.9 m	51.2 m
2.3	100.0**												
2.5	90.0**												
3.0	80.2**	75.2**	65.0	65.0									
3.5	72.4	68.1	65.0	65.0	50.0								
4.0	66.0	62.1	61.6	61.2	50.0	41.3							
4.5	59.4	56.9	56.4	54.7	50.0	41.3							
5.0	53.1	51.7	51.1	47.3	44.0	39.2	31.6						
6.0	42.8	42.9	38.2	35.6	34.1	33.8	29.8	23.8					
7.0	30.9	30.9	29.9	29.9	29.4	27.5	25.6	23.8	19.7	15.8			
8.0	23.7	23.8	25.1	25.7	24.5	23.0	21.5	20.9	19.1	15.8	12.9		
9.0	19.0	19.0	20.2	20.8	20.9	19.7	18.4	18.2	16.3	15.8	12.9	10.2	
10.0			16.7	17.3	17.3	17.1	16.3	15.8	15.5	13.7	12.9	10.2	8.9
11.0			14.1	14.6	15.3	14.6	15.2	14.0	14.0	12.9	11.8	10.2	8.9
12.0			11.9	12.5	13.1	13.1	13.3	13.0	12.5	11.8	11.0	10.2	8.9
14.0				9.4	9.9	10.0	10.1	9.9	9.9	9.5	9.0	8.3	8.1
16.0				7.3	7.8	7.8	7.9	7.8	7.7	7.5	7.3	6.8	6.6
18.0					6.3	6.3	6.4	6.2	6.2	5.9	5.8	5.4	5.4
20.0					5.1	5.1	5.2	5.1	5.0	4.7	4.6	4.3	4.3
22.0						4.2	4.3	4.2	4.1	3.8	3.7	3.4	3.4
24.0							3.6	3.4	3.4	3.1	3.0	2.6	2.6
26.0								3.0	2.8	2.8	2.5	2.4	2.0
28.0									2.4	2.3	2.0	1.9	1.6
30.0									1.9	1.9	1.6	1.4	1.1
32.0										1.5	1.2	1.1	0.8
34.0										1.2	0.9	0.8	0.5
36.0											0.7	0.5	
38.0											0.5		

 11.1 – 51.2 m
  7.2 m
  360°
 3.5 t
DIN/ISO/EN

 m	11.1 m*	11.1 m	14.8 m	18.5 m	22.1 m	25.8 m	29.5 m	33.2 m	36.9 m	40.5 m	44.2 m	47.9 m	51.2 m
2.3	100.0**												
2.5	90.0**												
3.0	79.9**	75.0**	65.0	65.0									
3.5	72.2	67.9	65.0	65.0	50.0								
4.0	65.8	61.8	61.4	61.0	50.0	41.3							
4.5	58.6	56.4	55.8	51.5	48.6	41.3							
5.0	52.3	51.1	48.7	44.6	41.5	37.7	31.6						
6.0	40.2	40.4	36.0	33.5	34.1	31.9	28.5	23.8					
7.0	28.9	29.0	28.0	29.3	27.7	26.0	24.1	22.3	19.7	15.8			
8.0	22.2	22.2	23.5	24.2	23.1	21.7	20.2	19.9	17.8	15.8	12.9		
9.0	17.7	17.7	18.9	19.5	19.6	18.5	17.7	17.0	16.1	14.6	12.9	10.2	
10.0			15.6	16.2	16.5	15.8	16.3	14.9	14.8	12.9	12.4	10.2	8.9
11.0			12.9	13.6	14.2	14.2	14.3	13.6	13.0	12.3	11.0	10.2	8.9
12.0			10.9	11.5	12.1	12.1	12.2	12.0	11.5	10.9	10.3	9.6	8.9
14.0				8.6	9.1	9.2	9.3	9.1	9.1	8.7	8.2	7.6	7.4
16.0				6.6	7.1	7.1	7.2	7.1	7.1	6.8	6.6	6.1	5.9
18.0					5.7	5.7	5.8	5.7	5.6	5.3	5.2	4.8	4.8
20.0					4.6	4.6	4.7	4.6	4.5	4.2	4.1	3.8	3.7
22.0						3.8	3.8	3.7	3.6	3.4	3.2	2.9	2.9
24.0							3.2	3.0	3.0	2.7	2.6	2.2	2.2
26.0								2.6	2.5	2.4	2.1	2.0	1.7
28.0									2.0	1.9	1.7	1.5	1.2
30.0									1.6	1.5	1.3	1.1	0.8
32.0										1.2	0.9	0.8	0.5
34.0										0.9	0.7	0.5	

* Over rear · Nach hinten · A l'arrière · Hacia atrás · Indietro · Hazað

** With additional lifting equipment · Mit Zusatzhubausrüstung · Avec équipement de levage supplémentaire

Con equipamiento de elevación adicional · Con attrezzaggio di sollevamento supplementare · С дополнительным подъемным оборудованием